

# DINMTT, MTT, MTT-IR and TBS

## EXIT DEVICES

DINMTT, MTT, MTT-IR and TBS are push buttons with touch or contactless features and compact designs. They can function independently or with a controller. The MTT-IR enables contactless activation through hand waving.

### FEATURES

- Audible signal: Buzzer
- Operating temperature: -20°C to +50°C
- Relay time: Pulse and latch mode
- Input voltage: 12-24 V DC; 15-24 V AC
- Visible signal: Yes
- Tamper protection: Yes



MTT



MTT-IR

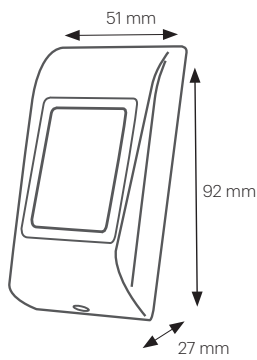


TBS

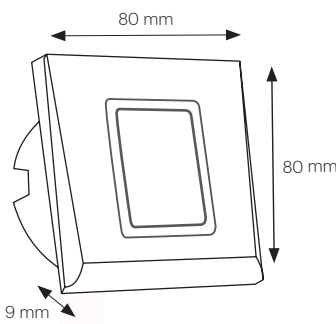


DINMTT

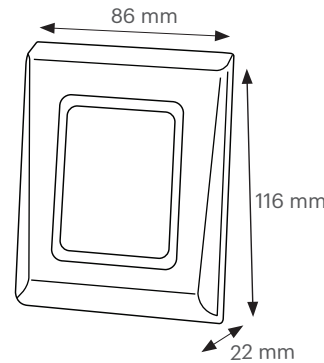
### DIMENSIONS



MTT and MTT-IR



DINMTT



TBS

### VARIANTS

References	MTT	DINMTT	MTT-IR	TBS
Mounting	Surface	Flush	Surface	Surface
Housing	Polycarbonate copolymer (Black) and Aluminium (Silver)	ABS (frame sold separately)	Polycarbonate copolymer (UL94)	Die-cast aluminium alloy housing
Wiring	50 cm cable	Terminal block	Terminal block	50 cm cable
Technology	Touch-sensitive (capacitive)	Touch-sensitive (capacitive)	Infrared	Capacitive
Relay output	2 A at 24 DC/ 120 V AC	2 A at 24 V DC/120 V AC	NO/NC, 24V AC/DC, 1A	2 A with 24 CC/ 120 V CA
Touch plate	Stainless steel	Mild steel	Acrylic	Mild Steel
Current Consumption	65 mA max.	65 mA max.	50 mA max.	65 mA max.
Colours	Black or Silver	Silver, charcoal, and white	Black	Black
Resin potted electronics	Yes	No	Yes	Yes
IP rating	IP65	IP40	IP65	IP65
Operating humidity	0-95% (non-condensing)	5-80% (non-condensing)	0-95% (non-condensing)	0-95% (non-condensing)

All product specifications are subject to change without notice.