

XP-PB & XPM-PB

EXIT DEVICES

The XP-PB and XPM-PB are request-to-exit switches designed for flexible integration. They can operate as standalone devices or be connected to an access control system via a controller to provide an exit option from secured areas (Push Button Input). Both models are specifically designed to complement the XPRO reader series, ensuring a consistent and professional installation.



XP-PB

XPM-PB

FEATURES

- Mounting: Surface wall mount. XP-PB is also compatible with European flush mount junction box and US 1 Gang box 3 x 3.
- Housing: Polycarbonate copolymer (UL94)
- Resin potted electronics
- Operating voltage: 12-24 V AC/DC
- Current consumption: 15 mA/60 mA @ 12 VDC, 10 mA/30 mA @ 24 VDC.
- Relays Output: 3A/30V
- Wiring: terminal blocks (0,5m cable upon request)
- Audible signal: Internal buzzer
- Visible signal: Yes, three color light indications
- Adjustable detection sensitivity: yes
- Adjustable relay time: yes
- Tamper detection: Yes
- Detection: Capacitive, up to 4cm

ENVIRONMENTAL FEATURES

- Operating temperatures: -35°C to +70°C
- Operating humidity: 0% to 95% (non-condensing)
- Protection standard: IP65
- Impact protection rating: IK 11

LED



Blue LED Red LED
Idle mode*

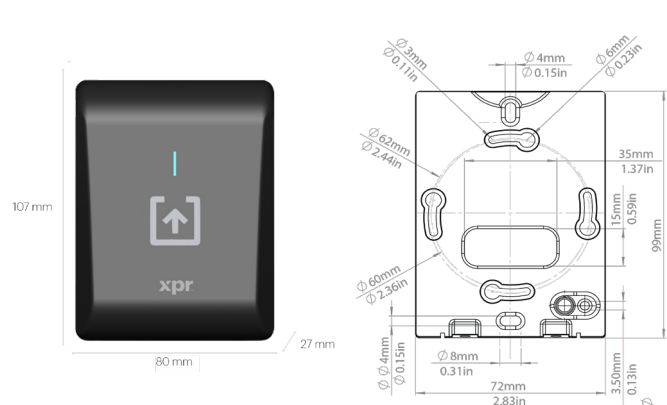
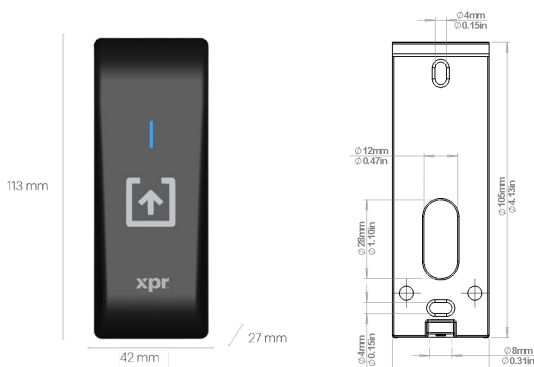
Green LED
Access granted

*LED default color: blue (red selectable via DIP switch)

DIMENSIONS

XP-PB

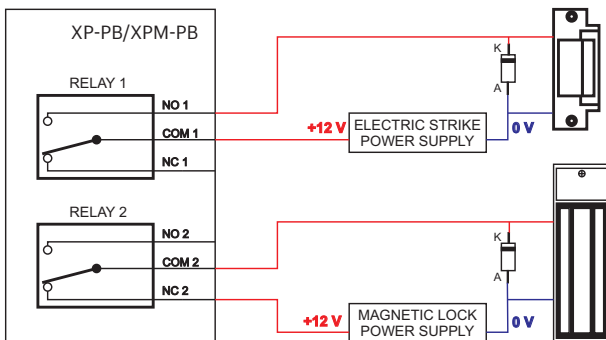
XPM-PB



All product specifications are subject to change without notice.

STANDARD CONNECTION

Relay 2 activation option must be ON (DIP SWITCH 2 ON): Relay 2 is ON when Relay 1 is ON.



POWER FAILS SAFE WITH MAGNETIC LOCKS

If the XP-PB/XPM-PB loses power supply, the magnetic lock will be disconnected from the lock power supply and the door will be unlocked.

Relay 2 activation option must be OFF (DIP SWITCH 2 OFF): Relay 2 is ON when Relay 1 is OFF.

