

CNV1000

TCP/IP TO RS-485 CONVERTER

A DIN-rail casing for our RS-485-TCP/IP module, which enables quick and simple setup of all our Wiegand biometric readers to link to external controllers.



CNV1000

CNV1000-E

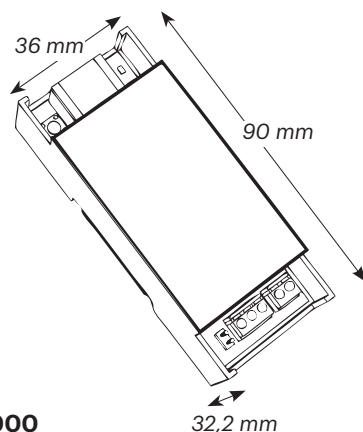
FEATURES

- Type of model: TCP/IP to RS-485 converter
- Housing: DIN Rail, plastic, size 2 unit
- Network plug: RJ-45
- POE: No
- Network interface: 10 BaseT, Half duplex
- RS-485 interface: 38.400 Bps (8-bit data, no parity, 1-stop bit)
- Support "Find Portals" by PROS CS and Biomanager CS: Yes
- Power supply: 12 V DC, 100 mA
- Configuration: By Internet browser, PROS CS or Biomanager CS
Configurable IP and MAC address, TCP port Reset IP to default by tact switch
- Security: Dedicated IP or/and MAC address
- DDNS support: Yes
- DHCP client: Yes
- Default IP address: 192.168.1.100
- Reset IP to default: Yes, by tact switch
- Visual LED signalization: TCP/UDP packets
- PCB: Available on its own or with DIN housing

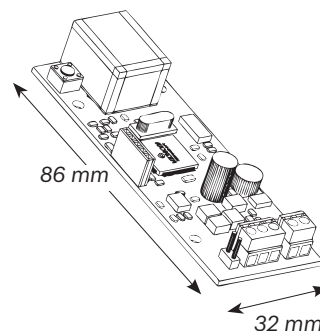
ENVIRONMENTAL FEATURES

- Operating temperature: 0°C to +40°C (non-condensing)

DIMENSIONS



CNV1000



CNV1000-E