

DINFPx, DINFP2Hx, DINFP2Vx

DIN RANGE MASK

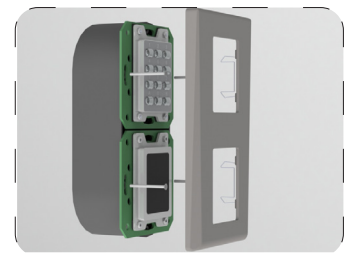
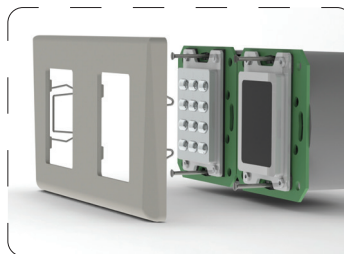
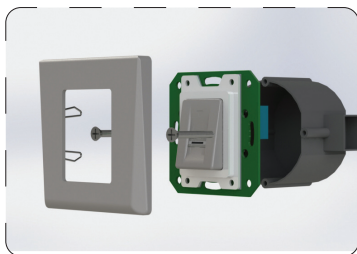
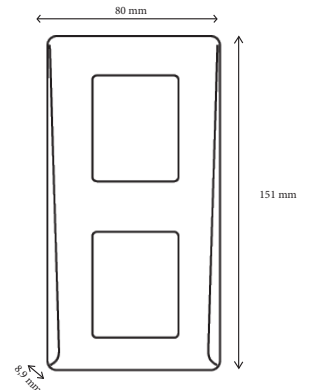
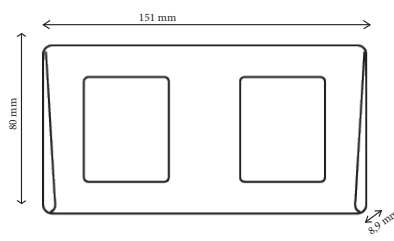
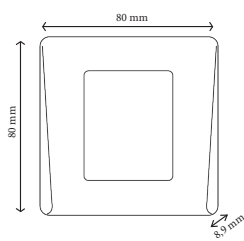
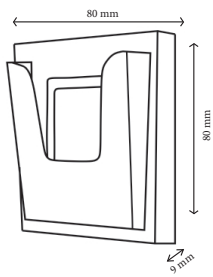
Adaptable frames that can be combined with various DIN-compatible keypad, proximity, or biometric reader electronics.







FEATURES

- **Frames:** ABS
- **Colors:** Silver, charcoal and white
- **Clips:** *Single version:* mask coming with 2 metal clips
Double version: mask coming with 4 metal clips
- **Models:** 3 (single with card holder, vertical double and horizontal double)

DIMENSIONS AND MOUNTINGS

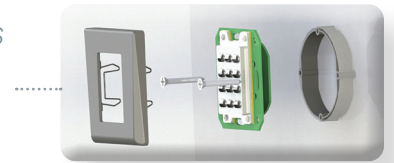


REFERENCES PER COLOR AND MODEL

	Silver	Charcoal	White
	DINFP-S	DINFP-C	DINFP-W
	DINFP2HS	DINFP2HC	DINFP2HW
	DINFP2VS	DINFP2VC	DINFP2VW
	DINFP-ES	DINFP-ES	DINFP-ES

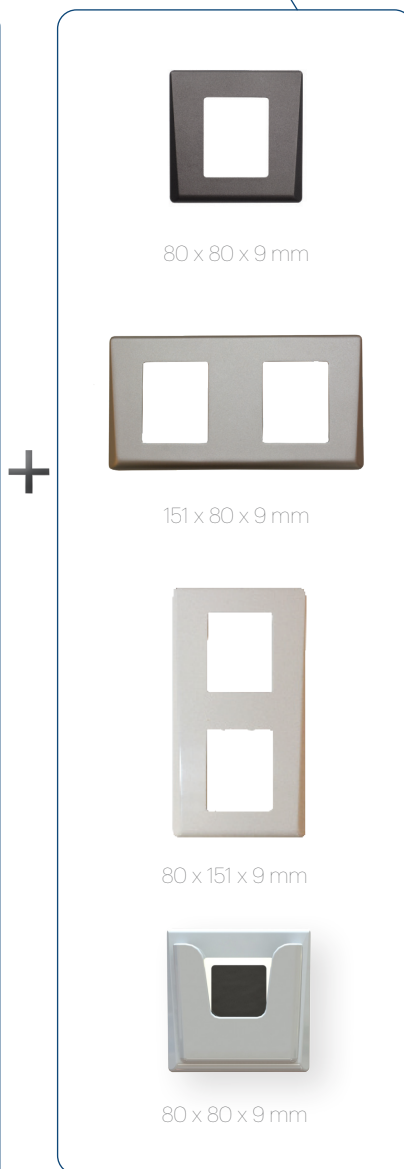
CREATE YOUR OWN COMBINATION OF FRAME AND ELECTRONICS:

- » Simple or double technology
- » 3 different colours
- » The masks of the DIN range are available in simple or double version, vertical or horizontal allowing to combine different technologies, fitting perfectly into them and keeping an aesthetic design
- » Easy mounting: Easy installation fitted in standard electrical gang boxes



ELECTRONICS

MASKS



Available in 3 different colors

