

# VPROX2-M

VANDAL-RESISTANT, EM RFID READER



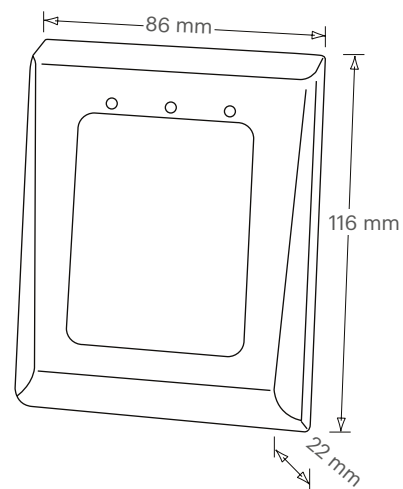
## FEATURES

- Mounting: Surface
  - Housing: Moulded aluminium
  - Resin potted electronics: Yes
  - Technology: RFID
  - Protocol: Wiegand (26- to 40-bit), CLOCK & DATA and Codix
  - Reading type: EM4100
  - Read range: Up to 5 cm
  - Operating frequency: 125 kHz
  - Visible signal: Red LED (voltage free)  
Green LED (voltage free)  
Orange LED
  - Internal buzzer: Yes
  - Power supply: 9-12 V DC
  - Current consumption: Standby: 20 mA  
Max: 35 mA
- Wiring:  
50 cm, 8-core cable

## ENVIRONMENTAL FEATURES

- Operating temperature: -15°C to +50°C
- Operating humidity: 0% to 95% (non-condensing)
- IP rating: IP65

## DIMENSIONS & WEIGHT



## FOBS & CARDS



Ref.	PBX-1E	PBX-1C	PBX-2
Features	ABS Keyfob EM4100	Leather Key- fob EM4100	0,75 mm ISO Card - EM4100