

XP-K-MF-W

XPRO RANGE - 13.56 MHz RFID KEYPAD

The RFID keypad is compatible with the PROS CS client server software and EWS controllers.

It can read 13.56 MHz credentials and communicate with standard Wiegand protocol.

The configuration and the firmware update can be done using our XPR PROS CS software via the USB-C input on the back of the reader or with a programming card.

The XP products are coming with the Xsecure® key, but only products ending in -X are coming with the Xsecure® configuration by default to ensure data protection.

Xpro



FEATURES

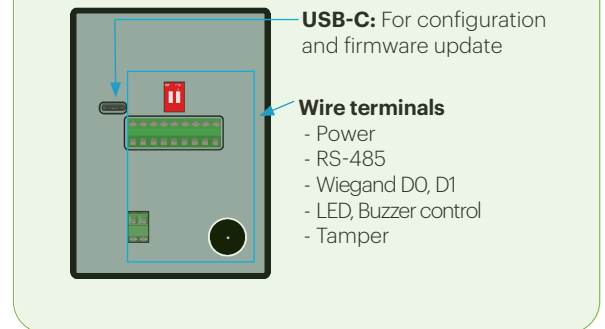
- Mounting: Surface mount
- Housing: Polycarbonate copolymer (UL94)
- Internal buzzer: With adjustable intensity using software
- Communication: Wiegand
- Keys: Blue illuminated and recessed touch sensor keys
- Reading range: Up to 9 cm, depending on the tag type and size
- Operating frequency: 13.56 MHz
- Tamper protection: Yes
- Wiring: Terminal block
- Operating voltage: 9 - 15 V DC
- Max. consumption at 12 V DC: 100 mA
- Supported Credentials: Xsecure®, Mifare CSN (Classic, DESfire, Plus, Ultralight), Mifare DESfire (EV1, EV2, EV3)

NOTE: The XP-K must be fitted with XP-ATP cover if it is installed outside directly exposed to rain.

ENVIRONMENTAL FEATURES

- Environmental rating: Indoor/ Outdoor IP65 (resin potted)
- Operating temperature: -30°C to +70°C
- Operating humidity: 0% to 95% RH (non-condensing)
- IP rating: IK10

CONNECTIVITY



LED

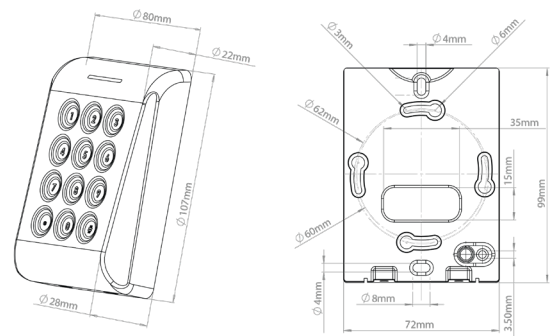


Green LED
Access granted

Blue LED
Idle mode

Red LED
Access denied

DIMENSIONS & WEIGHT



~160 g

Back plate
Back plate compatible with UK, EMEA and US standard and most electrical gang mountings

Client server software



CLIENT
PROS CS
SERVER

PROS CS is client server software for the Network Access Control System that enables multiple clients to connect to a system either locally or from anywhere on the Internet.

Ideal to control an unlimited number of doors, users, access levels and floors in any business, office or building.

It is also compatible with different video surveillance systems, allowing you to control what is occurring in real time in each area selected.

VARIANTS

References	Functions and credentials			Firmware Upgrades/Programming	
	13.56 MHz CSN (ISO 14443-A (MIFARE®), ISO 15693, HID® iClass, NFC®)	Custom Encryption DESFire® EV1, EV2 & EV3 Mifare Classic	Mobile ID	USB-C	Default Credential
XP-K-MF-W	✓	✓	✗	✓	Mifare CSN
XP-K-MF-W-X	✓	✓	✗	✓	Xsecure®

ACCESSORIES



PROX-USB-X

RFID USB desktop device.
RFID configurable R/W reader with keyboard emulation (Windows, MAC, Linux).
It reads Mifare classic, Mifare DESfire, NFC, ISO 15693 and Xsecure® cards.



XP-SPACER

Surface mount spacer.
With knock-outs on each side and fitting perfectly to the housing backplate, it is the ideal accessories to wire the reader easily if there is not a lot of room for connecting the reader during the installation.



XP-ATP

This ABS cover is not compulsory for external use but recommended if you wish to protect the reader further against harsher weather conditions, UVA and dust. It offers also a significant level of vandal resistance if needed.



Mifare Fobs & Cards

Different contactless fobs and cards:
- Mifare available with 1 KB and 4 KB memory.
- Mifare DESfire EV3 available with 2 K memory.
- Xsecure® Mifare DESfire EV3 available with 2 K memory.
Available in different types of support:
ISO cards and ABS key fobs.



The Xsecure® solution is based on the concept of writing the identifier as **data on pre-coded MIFARE® DESFire® EV3 13.56 MHz cards and fobs.**

Xsecure® enables each card access key to be **distinct and unique**, produced through **an irreversible diversification process**. As a result, the data on **the card is encrypted and sealed** again, with an error checking against spoofing.

Only the reader and the production card encoding system are aware of this operation.

XPR encodes the cards and validates the identifiers issued **to avoid duplication.**