

> XP-SPACER

SURFACE MOUNT SPACER FOR THE XPRO RANGE

This attachment is ideal when there is not enough room to attach the reader during installation since it fits exactly into the housing backplate and has both side knock-outs.

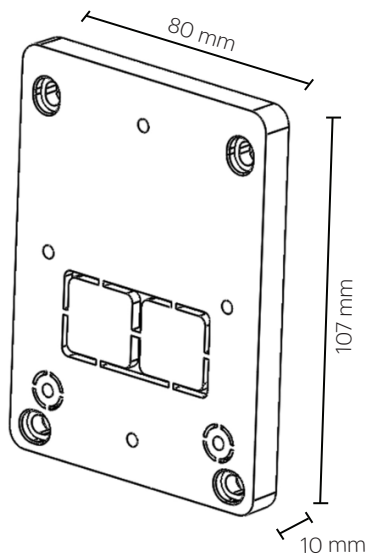
FEATURES

- Mounting: Surface
- Material: ABS
- Colour: Black
- Knock-out openings: 8+2
- Suitable for outdoor use: Yes



The opening has two breakable squares in the middle. Depending on cabling requirements, one or both squares could be broken. There is also an option for cabling from all four sides as per the wiring.

DIMENSIONS & WEIGHT



~45 g